

Bubbler Valves

Model 5057LF:

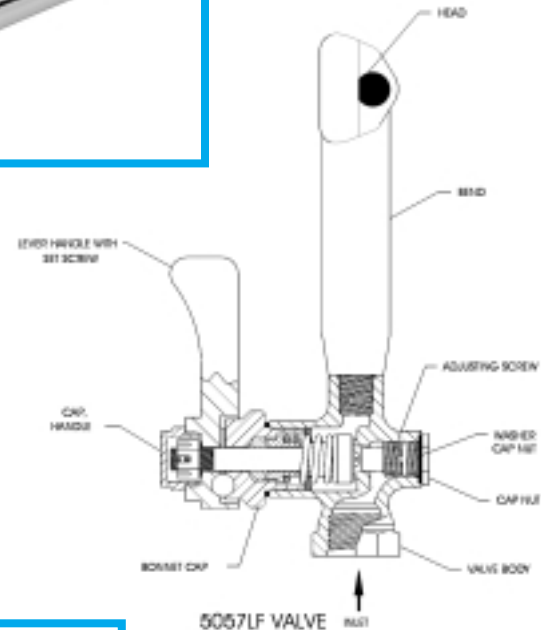
Lead free polish chrome plated, self-closing drinking faucet with stream control. Designed to be mounted on a wall over a receptor for right hand operation. ½" NPT(F) supply. This valve exceeds the standards of the Safe Drinking Water Act and Lead Contamination Control Act. All components in the waterway contain less than 0.1% lead. Dimensions: overall length, 8"; overall width, 4"; overall height, 5 ½".

Servicing Instructions for Model

5057LF:

If stream height of water is unsatisfactory, check the following:

- ❶ Verify 30 PSI minimum supply line pressure.
- ❷ To adjust flow, remove cap. Turn adjustment screw clockwise to decrease flow and counter clockwise to increase flow. Replace cap.
- ❸ The 5830LF valve is used on this model. If valve is malfunctioning, replace damaged or worn components with parts shown for 5830LF valve on page 19.



Model 5060LF:

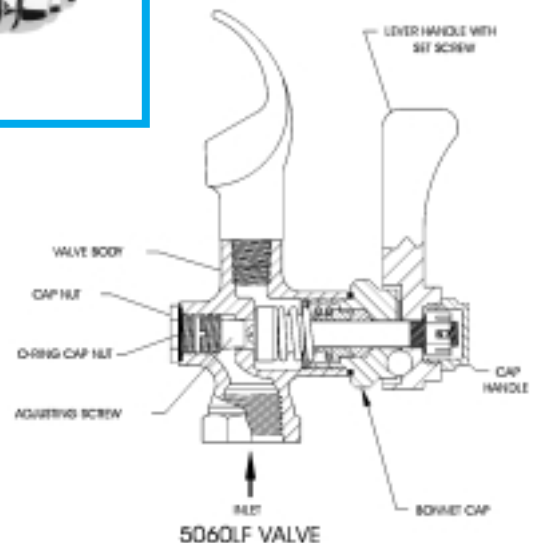
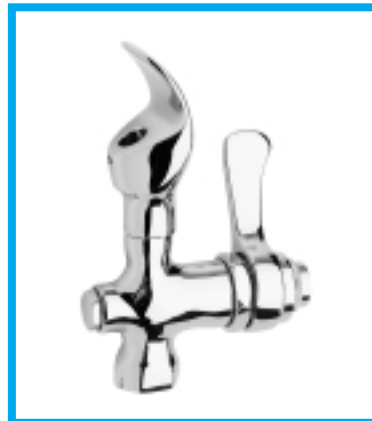
Lead free, self-closing lever handle valve with stream control; integral, chrome plated brass basin shank; Designed to be mounted to a pipe. ½" NPT(F) supply. This valve exceeds the standards of the Safe Drinking Water Act and Lead Contamination Control Act. All components in the waterway contain less than 0.1% lead. Dimensions: bottom of flange to top, 5 ¾"; overall width, 4".

Servicing Instructions for Model

5060LF:

If stream height of water is unsatisfactory, check the following:

- ❶ Verify 30 PSI minimum supply line pressure.
- ❷ To adjust flow, remove cap. Turn adjustment screw clockwise to decrease flow and counter clockwise to increase flow. Replace cap.
- ❸ The 5830LF valve is used on this model. If valve is malfunctioning, replace damaged or worn components with parts shown for 5830LF valve on page 19.



Certified to NSF-61 Section 9

LEAD  FREE