

Pantry Faucets



Model 5510LF

Lead free polished chrome plated brass 3/8" gooseneck pipe locked to body. Includes lever handle, compression-type valve with renewable seat and 1/2" O.D. slip joint supply. Equipped with vandal resistant aerator. Pin prevents turning of fixture. This pantry faucet exceeds the standards of the Safe Drinking Water Act and Lead Contamination Control Act. All components in the waterway contain less than 0.1% lead. Dimensions : Center supply to center spout outlet, 4 1/2"; bottom of flange to extreme top of faucet, 9 3/4"; bottom of flange to spout outlet, 5 3/8"; flange diameter, 2"; shank diameter, 13/16"; maximum deck thickness, 1 1/2".

Model 5530LF

Lead free polished chrome plated brass hot and cold mixing faucet. Includes 3/8" gooseneck pipe, two lever-handle compression type valves with renewable seats, integral basin shank; and two 1/2" slip joint supplies. Also equipped with vandal resistant aerator. Pin prevents turning of fixture. This pantry faucet exceeds the standards of the Safe Drinking Water Act and Lead Contamination Control Act. All components in the waterway contain less than 0.1% lead. Dimensions : Center supply to center spout outlet, 4"; bottom of flange to extreme top of faucet, 10"; bottom of flange to spout outlet, 6 3/8"; flange diameter, 2"; maximum deck thickness, 1 1/2"; center to center of inlets, 4".

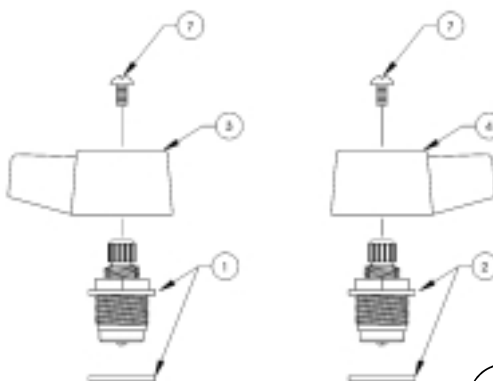
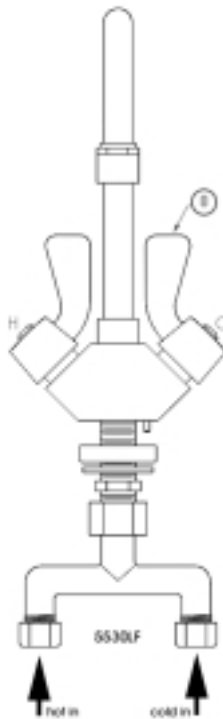
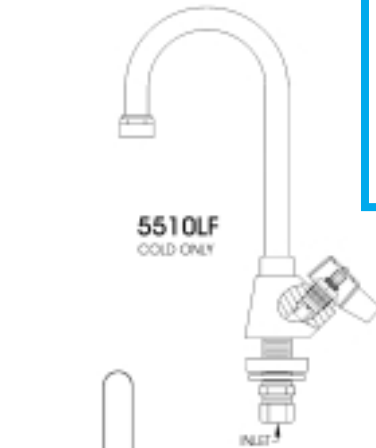


Servicing Instructions for Models 5510LF and 5530LF:

If water flow is unsatisfactory, remove aerator (5) with removal key and clear any obstructions. If this fails, verify 30 PSI minimum supply line pressure is available and that supply stop is fully opened. If valve is malfunctioning, replace damaged or worn components by referring to the parts breakdown.

Note: 5510LF and 5530LF repair parts are interchangeable with 5510 and 5530 faucets. Beginning June 1999 the handles were reconfigured as in 5530LF drawing. These parts are also interchangeable with 5510 and 5530 faucets.

5510LF
COLD ONLY



LEAD FREE



Replacement Part #	Item #	Description
0005517974	1	Stem Assy Hot 5530 Only
0005514039.1	2	Stem Assy Cold 5510/5530
0002698900	3	Handle Hot 5530 Only
0002696938	4	Handle Cold 5510/5530
0005212626.1	6	Seat-Renew 5510/5530
0005165345	7	Screw 5510/5530 Handle
0000086686.2	5	Aerator With Key
0002695910	8	Handle 5510/30 hot/cold-New Style (Includes hot/cold indicating washer and screw.)