

Glass Fillers



Model 5551

Push lever operated, self-closing, chrome-plated lead free brass, deck mounted, gooseneck glass filler faucet. 3/8" NPT(F) inlet. This glass filler exceeds the standards of the Safe Drinking Water Act and Lead Contamination Control Act. All components in the waterway contain less than 0.1% lead. Dimensions: Bottom of flange to spout outlet, 8 1/8"; flange diameter, 1 1/4"; c-supply to c-spout, 1 11/16".



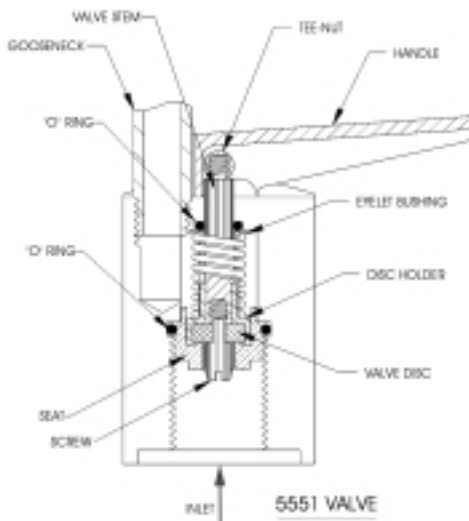
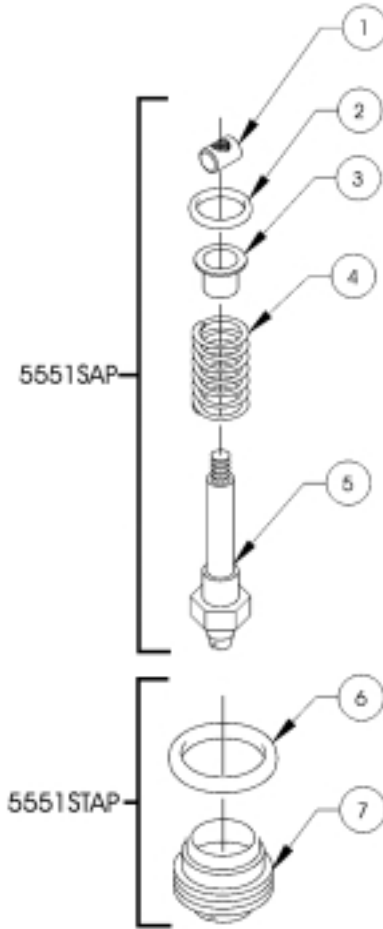
Model 5555

Push down platform operated, self-closing, chrome plated lead free brass, deck mounted, gooseneck glass filler faucet. 3/8" NPT(F) inlet. This glass filler exceeds the standards of the Safe Drinking Water Act and Lead Contamination Control Act. All components in the waterway contain less than 0.1% lead. Dimensions: Bottom of platform to spout outlet, 6"; bottom of flange to platform, 1 3/4"; flange diameter, 1 1/4"; c-supply to c-spout, 1 11/16".



Model 5572

Push back operated, self-closing, chrome plated lead free brass, wall mounted, glass filler faucet with black nylon coated handle. 3/8" NPT(F) inlet. This glass filler exceeds the standards of the Safe Drinking Water Act and Lead Contamination Control Act. All components in the waterway contain less than 0.1% lead. Dimensions: Overall length, 4"; bottom of handle to spout outlet, 2 3/4"; flange diameter, 1 1/4".



Servicing Instructions for Models

5551, 5555 and 5572:

If water flow is unsatisfactory, verify 30 PSI minimum supply line pressure and that supply stop is fully opened. If this fails to improve flow, or if valve is malfunctioning, replace damaged or worn parts by referring to the chart below.

Repl. Part #	Item #	Description
5551SAP	1	Nut, Tee
	2	"O" Ring, Stem
	3	Bushing, Eyelet
	4	Spring
	5	Stem, Valve Assembly
5551STAP	6	"O" Ring Valve Seat
	7	Seat, Valve
0002744201	8	Handle Plastic (Black)

LEAD  FREE