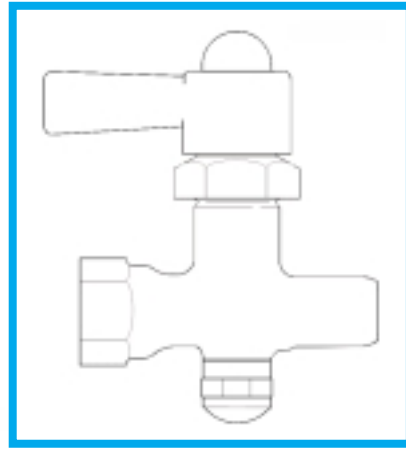


Valves

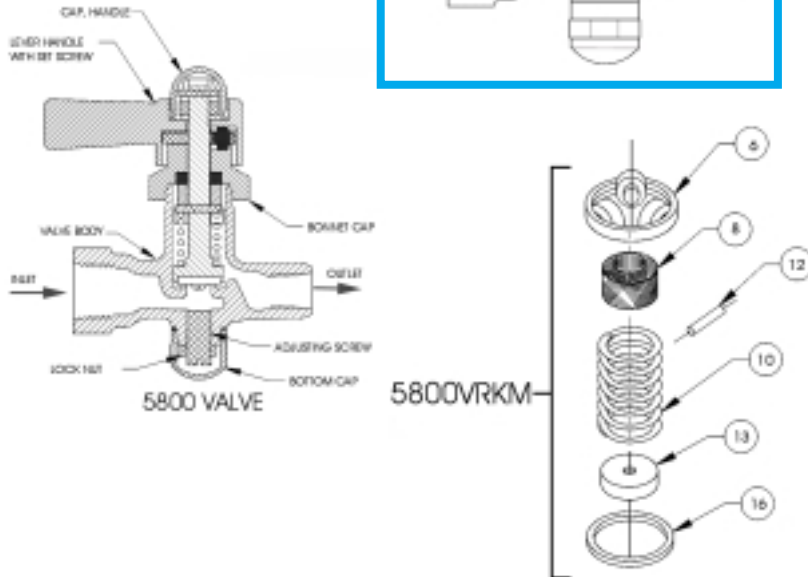


Model 5800

Polished chrome plated self closing lever handle valve with screwdriver stream adjustment. Complete valve is no longer available and may be replaced with Model 5830LF. This valve has been discontinued and only component parts are available.

Servicing Instructions for 5800HS:

To repair damaged parts, use repair kit 5800VRKM.



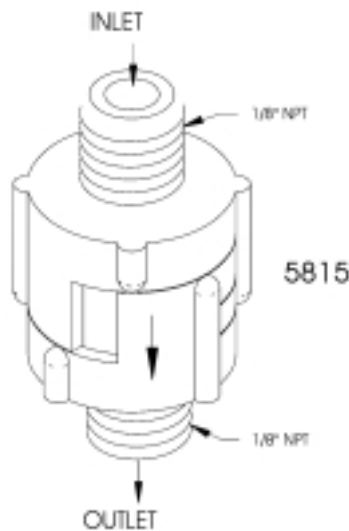
Repl. Part #	Item #	Description
5800VRKM	6	Retainer, Roller
	8	Packing Felt
	10	Spring
	12	Pin, Stem
	13	Washer, Seat
	16	Washer, Bottom

Model 5815

Lead free, plastic check valve used on most Haws pedestal freeze resistant drinking fountain valves. 1/8" NPT(M) inlet. This check valve exceeds the standards of the Safe Drinking Water Act and Lead Contamination Control Act. All components in the waterway contain less than 0.1% lead.

Servicing Instructions for Model 5815:

If not draining properly, check to be sure check valve is free from debris or obstructions. Replace if cracked or damaged.



Model 5815