

# Valves

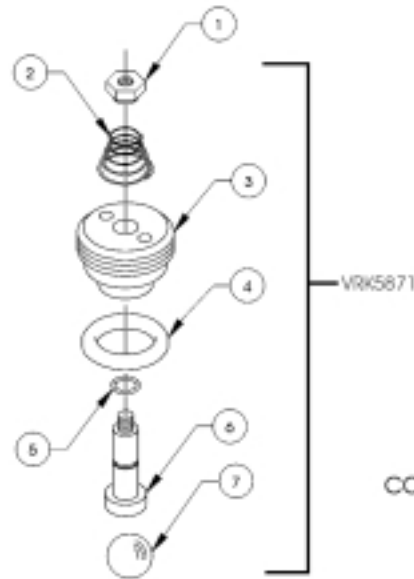
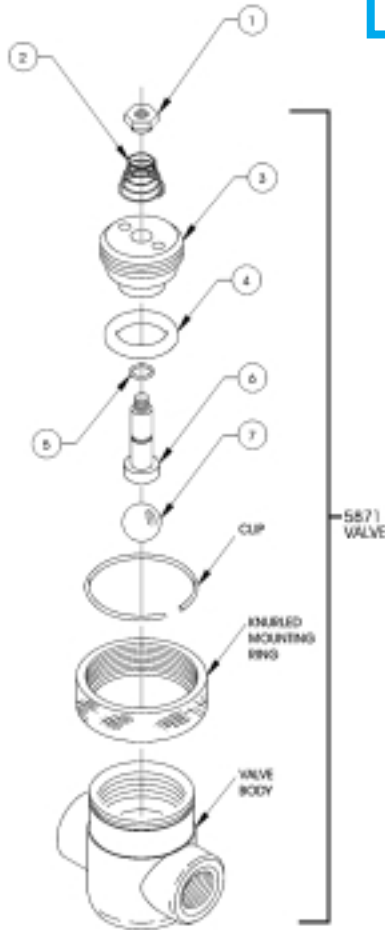


## Model 5871

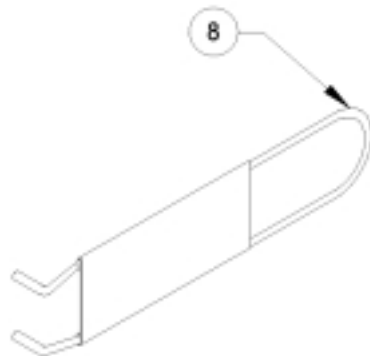
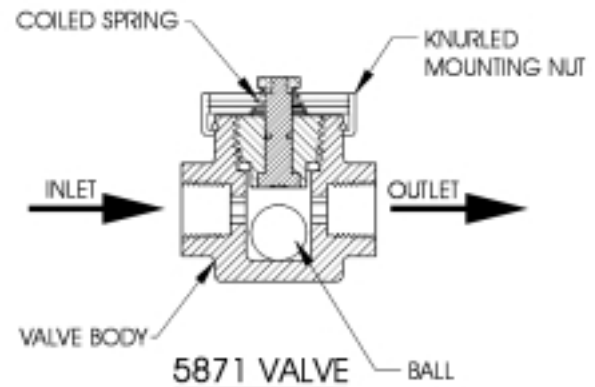
Rough brass push button valve used on most Haws fountains from January 1982 to April 1991. This valve is no longer used in current production but is available as a lead free replacement part. 1/4" NPT(F) inlet and outlet. This valve exceeds the standards of the Safe Drinking Water Act and Lead Contamination Control Act. All components in the waterway contain less than 0.1% lead. Push button assembly not included, see page 26. This valve requires a flow control in the outlet line to bubbler head, see page 32.

### Service Instructions for Model 5871:

To repair this valve, order the VRK5871 which contains a ball and stem assembly. See table below for trouble-shooting specific problem.



Problem	Solution
Water leaks between the stem and the bushing	Change the complete Stem Assembly — Order the VRK5871.
Water leaks between the bushing and the valve body.	Change the complete Stem Assembly — Order the VRK5871.
Valve will not shut off.	Change the complete Stem Assembly — Order the VRK5871.
Low inlet pressure	Must be 30 PSI minimum.



Repl. Part #	Item #	Description
VRK5871	1	Nut, Retainer
	2	Spring, Stem Return
	3	Bushing, Stem
	4	"O" Ring, Bushing
	5	"O" Ring, Stem
	6	Stem
	7	Ball
000698510	8	Wrench for Retainer Nut Removal

LEAD  FREE