

Hose Bibs

Model 6275

Compression hose bib faucet assembly with rough chrome plated finish. Includes vacuum breaker. Assembly includes stainless steel mounting plate, mounting screws, extended shank and tee. This assembly is for use on models 3060, 3121, 3150 and 3177 concrete pedestal fountains that come equipped with a second access plate opening. 3/4" male hose thread x 1/2" NPT(F) inlet.

Note: Model 6236 uses the 6275 faucet.



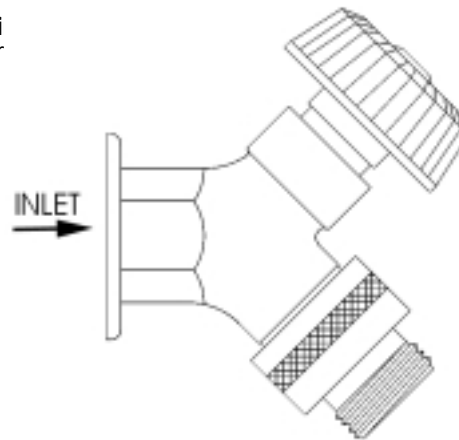
Model 6276

Compression hose bib faucet assembly with rough chrome plated finish. Includes vacuum breaker. Assembly includes extended supply shank, locknuts, and tee. This assembly is used on models 3300, 3300G, 3377 and 3377G pedestal drinking fountains. 3/4" male hose thread x 1/2" NPT(F) inlet.

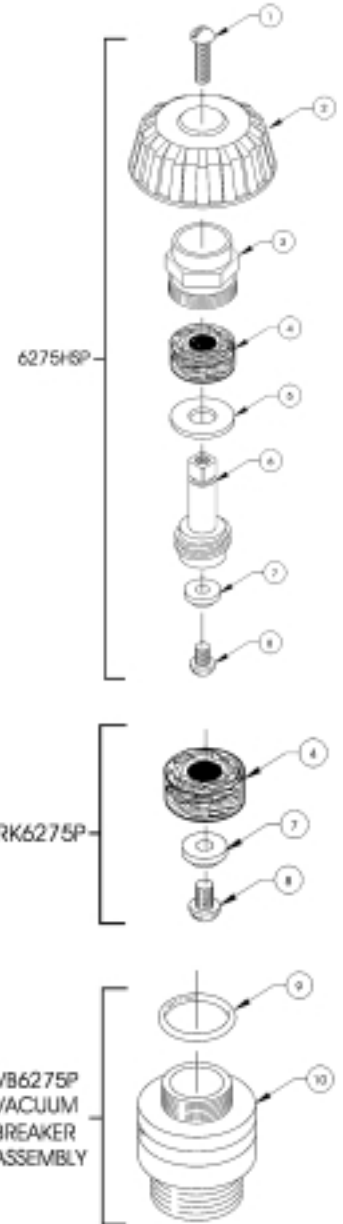
Servicing Instructions for Models

6236, 6275 and 6276:

To repair these valves, order the VRK6275P. Order the 6275HSP to repair damaged or worn parts in the handle or stem assembly.



COMPRESSION HOSE BIB WITH VACUUM BREAKER



Repl. Part #	Item #	Description
6275HSP (Includes items 1-8)	1	Screw, Handle 30121
	2	Handle, Wheel 30120
	3	Packing Nut 30107
	5	Packing Washer 30105
	6	Stem, Operating 30104
VRK6275P	4	Packing 30005
	7	Washer, Rubber 30008
	8	Screw 30009
VB6275P	9	Gasket 30110
	10	Vacuum Breaker 55102